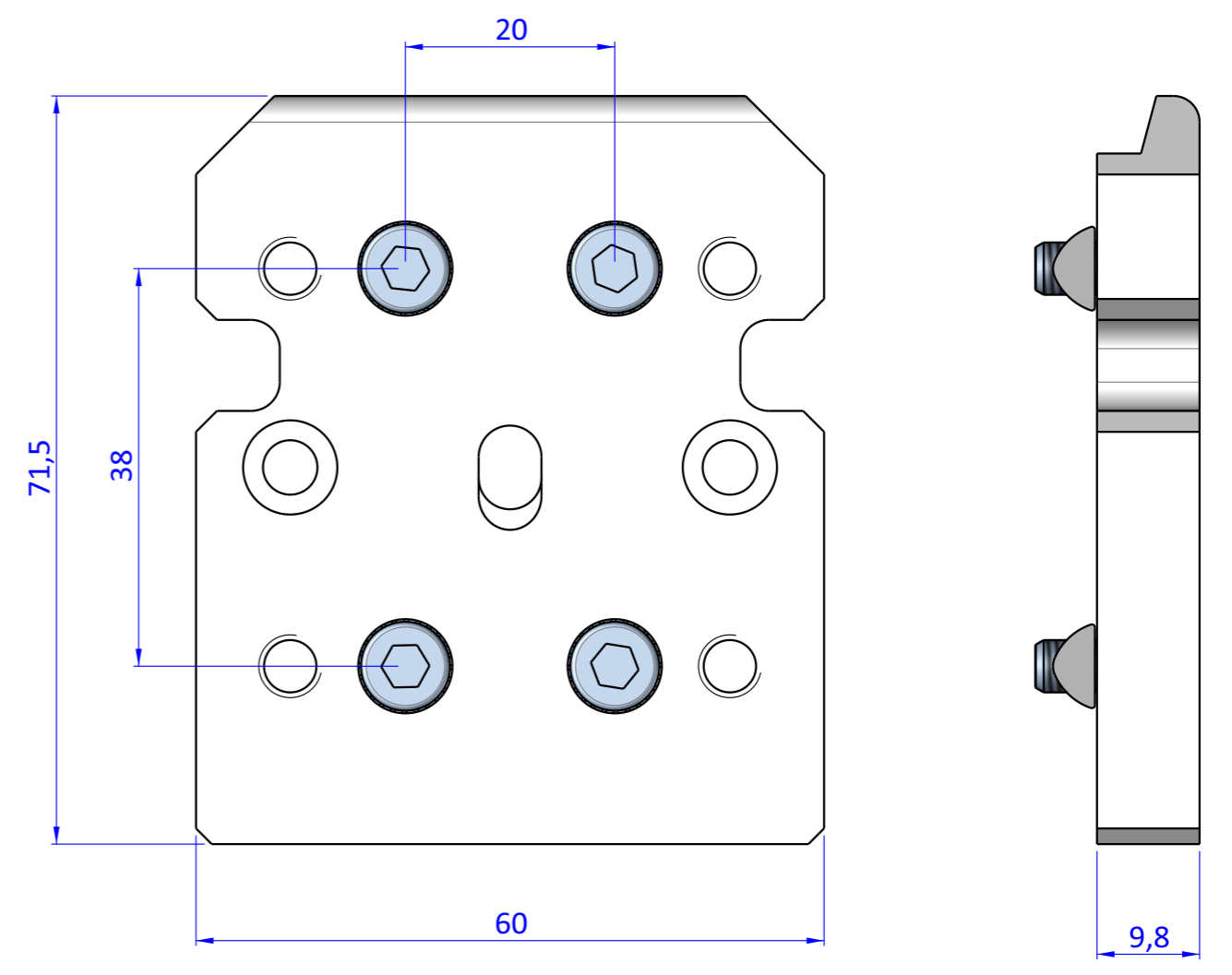
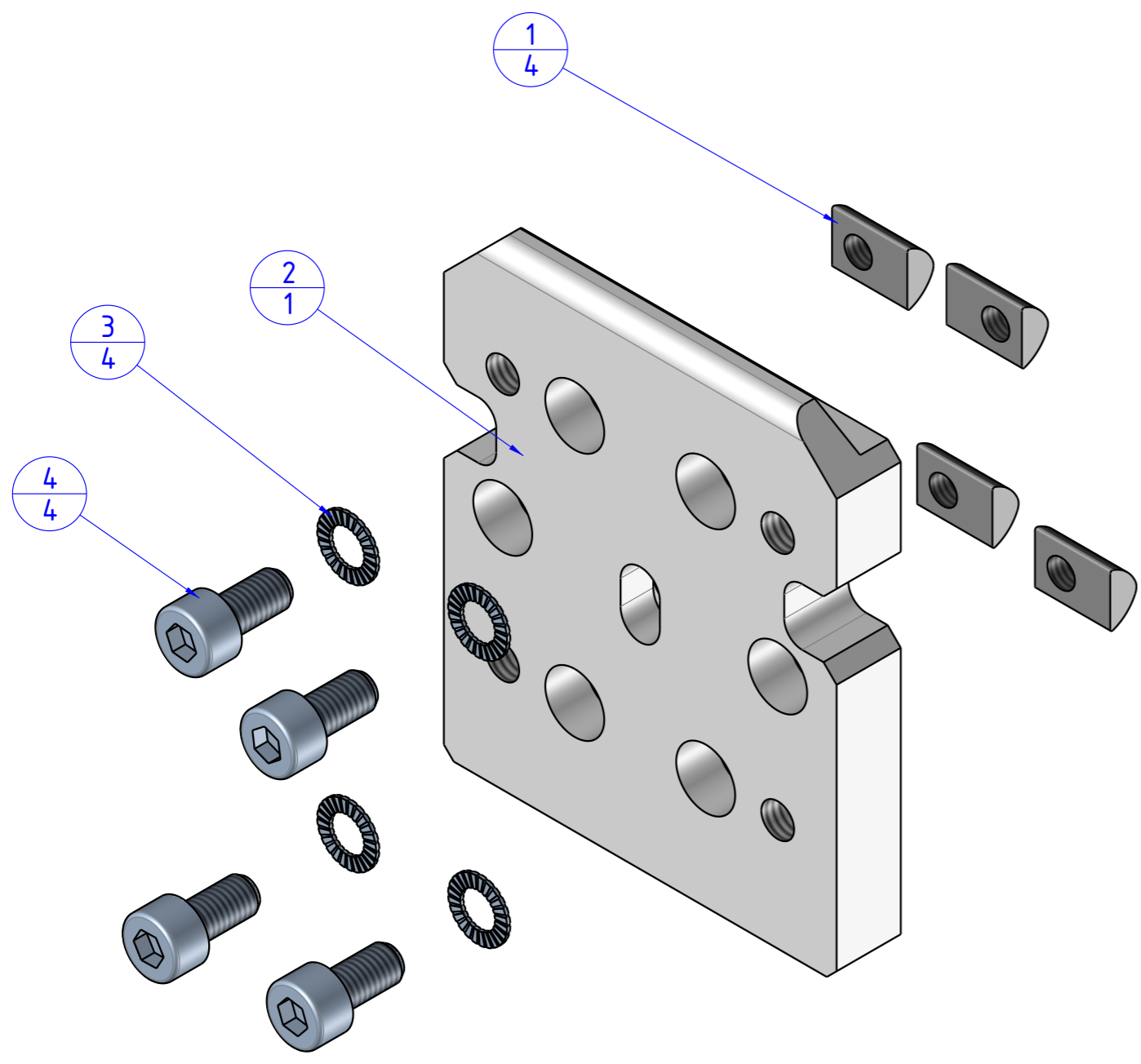



THE PROPERTY OF THE DRAWING IS ESTABLISHED BY LAW. IT IS FORBIDDEN TO PRODUCE OR SHOW IT TO THIRD PART. WITHOUT A WRITTEN AGREEMENT.

Item	Name	Q.ty
1	CA.02.05.003	4
2	CA.01.02.002	1
3	R.5.SCH	4
4	V.TCE5x10	4



Format A3  
UNI 936-76

 <b>FPS</b> FPSERVICES AUTOMATION		DESIGNED FROM <b>FPS Automation</b>		REVIEW <b>A</b>	
		DATE 17/01/2022	WEIGHT 0,111kg		
GENERAL TOLERANCE UNI - ISO 2768 CLASSE f	DESCRIPTION CA.01.02.002.5		CODE CA.01.02.002.5		